



DRESSCHAIR



DRESSCHAIR



DRESSCHAIR

by PIETRO LOVATO & WALTER HÖSEL

Dresschair è una sedia da ufficio adatta ad ambienti raffinati. Le finiture cromate lucide e il comodo sedile, unite al design elegante, la rendono una scelta ideale per gli utenti più esigenti. Come optional è disponibile anche un nuovo sedile extra-comfort.

Dresschair is a task chair crafted for refined work environments. Its chromed finishing and the comfortable seat, together with its elegant design, make it an ideal choice for demanding users. A new extra-comfort cushion is now available.

Girevole. Due tipi di imbottitura o rete.
Molle a pacchetto. Schienale medio o alto.

*Swivel. Two kinds of upholstery or mesh.
Pocketed springs. Medium or high backrest.*



M

10



11



DRESSCHAIR



CUSCINO EXTRA COMFORT
EXTRA-COMFORT CUSHION



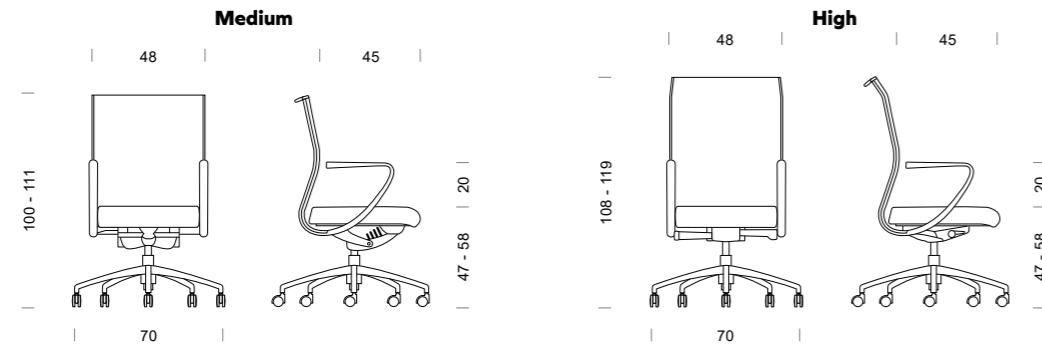
DRESSCHAIR



DRESSCHAIR



DRESSCHAIR



SCHIENALE: Tubo sagomato d'acciaio, Ø 25mm, finitura cromata (15µm) rivestito in rete o imbottito con spugna e rivestito in tessuto.

BACKREST: Ø25mm shaped steel tube backrest, chromed finish (15µm), mesh upholstered or foam padded and fabric upholstery.

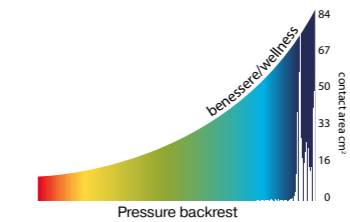
DOSSIER: Dossier en tube d'acier formé, Ø 25mm, finition chromé (15µm), revêtu en résille ou rembourré de mousse et tapissé.

RÜCKENLEHNE: Ø25mm geformte Stahlrohr Rückenlehne verchromt (15 µm), Netzrücken oder gepolsterten Schaumstoff.

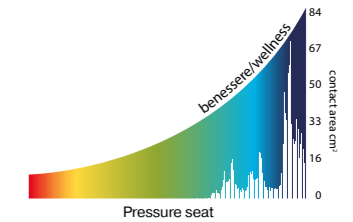
RESPALDO: Tubo de acero conformado, Ø 25mm, acabado cromado (15 µm) cubierto de malla o acolchado con espuma y tapizado.



A Pressione sullo schienale di spalle e scapole
Shoulders and scapulas pressure on backrest
Pression des épaules et omoplates sur le dossier
Druck von der Schulter und Schulterblatt auf der Rückenlehne
Presión en la parte posterior de los hombros y omóplatas



B Pressione dell'area sacrale su supporto lombare
Sacrum pressure on lumbar support
Pression sacrale sur le soutien lombaire
Druck im Bereich Kreuzbein und Lendenwirbelstütze
Presión del área sacra sobre soporte lumbar



C Pressione di bacino e cosce sul sedile
Hip and thigh pressure on seat
Pression des cuisses et du bassin sur l'assise
Druck im Becken und Oberschenkel auf dem Sitz
Presión de pelvis y muslos en el asiento



5-spoke aluminium base



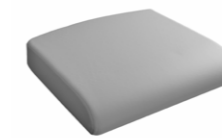
5-spoke iron base



XC014 high



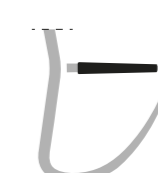
XC016 medium



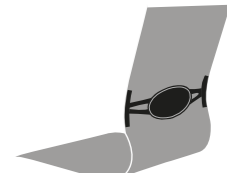
XD018 comfort seat



XM007 seat with negative inclination ONLY for SYNCHRO PLUS



XH003 uph. pad



XR006 lumbar support



Ø 50 mm soft self-braking chromed finish



Ø 65 mm soft self-braking black finish



Ø 65 mm self-braking perforated

